

Call for Entries! *Golf the Galleries - Artist-Designed Mini Golf* at the Sheldon Art Galleries 2021



DESCRIPTION: The Sheldon Art Galleries announce a call for entries for a nine-hole artist-designed Mini Golf course within the Sheldon Art Galleries, to open to the public on July 2, 2021 and running through September 5, 2021. The interactive “exhibition” will blend art, architecture and family fun into a playful, accessible mini golf course set within the second-floor Sheldon Art Galleries in Grand Center.

ELIGIBILITY: Individuals or teams submitting Mini Golf-hole designs for consideration must be based in the Greater St. Louis Metropolitan Area, which includes a radius of 40 miles around the city in both Missouri and Illinois. Artists will be responsible for transportation of their hole to the galleries for installation.

WHO SHOULD APPLY: Individual artists or artist teams, architects, designers, engineers, landscape architects, furniture designers, and even schools are encouraged to apply! Fabrication experience is required.

Companies such as architecture, design and landscape firms may also apply, but different conditions apply. For more information on a corporate proposal, please contact Rebecca Gunter, Gallery Coordinator and Education Manager at 314-533-9900 x18 or at rgunter@thesheldon.org.

SUBMISSIONS: Submissions will be accepted from either individual artists or teams. Collaborations are encouraged, but not required. Individuals or teams may submit more than one entry, but each design proposal requires a separate submission. Designs should be works of art in themselves—playful, sculptural, visually arresting, accessible and above all, playable! Since almost every hole will have its own room, we encourage artists and designers to think of the whole room as an environment in which the walls and even ceilings can be engaged. Items relating to the hole’s theme may be fixed to the walls within reason, but method of attachment may not cause significant damage to the wall covering. Items may be nailed or screwed into the wall (no large holes), but nothing may be glued directly to the wall or ceiling. Nothing may be nailed, screwed, taped, or glued directly to the floor.

TIMELINE:

Proposals Due: Midnight, November 30, 2020

Installation begins: All Holes must be completed around the week of June 1 – June 25 , 2021 (Individual Hole installation dates will be assigned in the following weeks, and all installation must be completed by June 25, 2021).

Opening: Friday, July 2, 5-8 p.m.

Last Day for Play: Sunday, September 5, 2021

Course Dismantled: Beginning the Week of Tuesday, September 7, 2021.

SELECTION PROCESS: Proposals will be selected for inclusion in this year's Mini Golf course at the Sheldon Art Galleries by a team of Sheldon staff members based upon the following criteria:

- **Concept:** Originality of the design, aesthetic considerations, ability to fit the gallery floor plan and ADA accessibility.
- **Playability:** Appropriate balance between challenge and fun for players. Difficulty level should be no more than a par 4.
- **Safety:** Each hole must be safe for play by all ages and not present any hazards that could harm public participants. Holes must be ADA accessible.

Durability: We expect thousands of players to visit our Mini Golf course over the summer, so each hole must be designed to handle a large volume of traffic without the need for constant upkeep and maintenance. Holes with tunnels or other hidden portions must be accessible for ball retrieval, should they become lodged. The artist will be required to repair should damage arise. Please design with durability in mind.

- **Feasibility:** Proposals will be evaluated on the feasibility of its design for use and playability. Any proposals which are out of scope in scale or present unrealistic expectations by way of execution, playability or installation may not be considered.

STIPEND: Successful entries will receive a \$800 design honorarium and \$1,000 towards materials and fabrication of the hole. Any additional fabrication costs beyond the \$1,000 per hole are at the artist's own expense. The fabrication of the hole and transport to the galleries is the artist's responsibility. Please consider the size of The Sheldon's largest elevator when building the hole (See Resource Section of the RFP for dimensions). You will have to build your hole in sections.

Artists will also enjoy 20 free passes to play Mini Golf. The selected artists will also receive recognition in publications, media opportunities, documentation and special events.

MAINTAINCE AND UPKEEP: The artist will take responsibility for the repair of any broken hole elements.

BUILDING SPECIFICATIONS: Each hole must be ADA accessible and is expected to withstand an enthusiastic, club-wielding public of all ages. Any materials, structures, or components deemed hazardous or too fragile will be rejected. The final design should fit into the floor space of the galleries allowing room for waiting groups and wheelchairs to pass without problem.

CURATORIAL SUPPORT: The selection committee and Gallery Staff may request revisions or alterations on designs base on safety or feasibility concerns or to fit a particular room. Please design with some flexibility in mind.

SITE: The course will run through the entire 2nd floor Sheldon Art Galleries space (total of eight individual rooms). The course will be designed to include one hole per room, except for the entrance room (The Bellwether Gallery of St. Louis Artists), which will have two holes (#1 and #2). The Sheldon Art Galleries staff will decide the final location of each artist's hole.

INSTALLATION: It is the artist's responsibility to install the hole. The Sheldon Art Galleries' staff will assist the artist with the final installation. Installation of holes begins June 1, 2021 and runs to June 25, 2021. All installation must be completed by June 25, 2021. An installation schedule will be sent to all artists with their assigned installation dates and times with the artist contract. Artists must stay within their allocated schedule and finish by their assigned deadline unless negotiated otherwise with the Gallery Staff.

DESIGN GUIDELINES:

Each green must fit into the gallery floor plan at one of the suggested footprints (See attached floor plan map).

- The hole should be designed for players of all ages
- Each green must include a 4' x 4' tee-off pad that is level and one hole (hole cup will be supplied by the Sheldon Art Galleries).
- The playing surface must encourage easy rolling of the ball, such as Astroturf or similar carpeting.
- All perimeter edges of the green should have a border to prevent the ball from rolling off the playing surface.
- All holes should be playable from a wheelchair (See ADA recommendations in the Resources section of this RFP).
- The greens must be playable with traditional putters and golf balls (supplied by The Sheldon) and should be par 4 or under.
- Some electrical power is available in most gallery rooms should you wish to light the green or create moving parts. We encourage visual creativity! No water features or sand pits are allowed, but creative obstacles can be integrated as long as balls can easily be retrieved.
- Your submission can include auxiliary works of art, as long as they are not fragile. These may be affixed to the wall as part of the piece. We encourage height and sculptural or architectural components.
- Each hole should include at least one simple obstacle and one easy route.
- The artist must provide in their proposal detailed drawings with dimensions and a list of proposed materials. A final finished, detailed drawing digitized will also be required to be used in pre-publicity.
- Please attempt to address accessibility issues for the blind, mobility and hearing-impaired.
- After final green selections are made, the course layout (placement of the holes within the galleries) will be the responsibility of the Sheldon Art Galleries. The Gallery Staff will work with final artists and teams to place their holes in the floor plan. Some design revision may be required to fit a specific room.

CONSTRUCTION CONSIDERATIONS FOR DESIGN PROPOSALS

- All greens will be installed directly on the wooden gallery floor, with a felt or cloth padding in between the installation and the floor, to protect the floor. Nothing may be nailed, glued, screwed, taped or otherwise fixed to the floor, but walls can and are encouraged to be used to attach sculptural elements and embellishments as long as no large, irreparable holes are made in the walls.
- Gallery themes relating to the individual gallery room missions of architecture, photography, music and children's art are encouraged, but not mandatory. All media may be utilized in the decoration and theme of the hole.
- All parts of the hole run coming into contact with the gallery floor should be fabricated from treated lumber or other elements unaffected by moisture. The bottom of the hole run platform should be covered with a material that will protect the floor from scratches.
- All components of the individual holes must be able to withstand an enthusiastic club-wielding public of all ages.
- No parts of the hole may endanger visitors playing the course. Any materials, structures, or components deemed hazardous or too fragile will be rejected.
- All holes should be ADA accessible.
- The Sheldon Art Galleries will supply all putters, balls and staffing for the run of the exhibit.

INSURANCE AND LIABILITY

Each artist must have their own health insurance (Workers Compensation insurance preferred) and provide a copy of their Certificate of Coverage. If artist does not hold Workers Compensation insurance, the Sheldon Arts Foundation will be held harmless from all claims or injuries that might be sustained during fabrication and installation of the hole. The Sheldon Arts Foundation will assume all liability of the holes while in public use on the Sheldon premises. Final hole artists will need to sign a liability waiver.

PRESS AND DOCUMENTATION

The Sheldon Art Galleries reserves the right to photograph and videotape holes, during production and after completion and to use these photographs and videos for educational and promotional purposes. A selection of 3- 5 drawings, sketches and captions should be made available by the artist for press purposes, including one finished, detailed drawing of the hole concept.

RIGHTS AFTER EXHIBIT CLOSURES: The Sheldon Art Galleries retains rights of images of the holes for promotion.

The following materials are required for consideration along with your contact information:

1) **Due Midnight, November 30:**

- **Detailed hole description**, citing concept, materials used and background information.
- **4-6 digitized images (jpeg format) of your proposed project (one should be a detailed finished drawing) and an image description list:** This may include three-dimensional mock-ups, digitized sketches, or digital drawings of your proposed mini golf hole. It must include detailed drawings that contain dimensions. One should be a detailed, finished drawing of one view of the hole with dimensions clearly visible. Supplemental images (no more than 3), such as examples of materials, as well as details or close-ups of elements can also be included. Additionally, please include 4-5 examples of past work that will illustrate your capability to take on the project.
- **Image description list** for your supplementary images, includes your first and last name, the title, date, medium and dimensions of the images of works provided. The supplementary jpegs should be labeled with your last name, first name and numbered corresponding to your image list. The hole description should include a succinct narrative of the idea, as well as proposed materials and concept of the hole-run. (no more than a page and a half).
- **Resume:** Artist's resume of no more than 2 pages. Please organize your accomplishments into sections (for example: education, employment/professional, exhibitions, awards, publications, miscellaneous) and include a 6-sentence narrative bio. Save your resume as a PDF and include in the submission file. If you are submitting as a collaborative team or group, please save each team member's information together as one PDF.

Drop your application and supplementary materials into a zipped file and put in a Dropbox or Google Drive folder labeled with your last name or the team name and the words "Mini-Golf" (i.e.: "**Smith Mini Golf**"). Please note that the images you submit must be in JPEG format and must be at least **8 x 10 at 300 dpi, but ideally larger than 1 MB and less than 3-4 MB** in size. All images should be named with your **last name_first name and a number: (Smith_Amanda 1, Smith_Amanda 2, etc.)**, or a team name and number.

Multiple proposals: Each artist may submit up to four separate design proposals; however, a maximum of one design per artist will be chosen for fabrication. If you are submitting multiple designs, submit them together in one application. Just include separate images and a separate proposal for each design (no more than 3-4 images per design, along with one set of supplementary images of past work), and make sure they are clearly labeled.

TO APPLY

Please send the zipped file or a link to your application folder (Dropbox or Google Drive) to Paula Lincoln, plincoln@thesheldon.org.

The deadline to submit your application and materials is by **Midnight, November 30, 2020**. Start your application early, visit our space, or better yet, play a round of mini golf this summer, and reach out to the staff at the Sheldon Art Galleries with any questions.

Questions? Contact Paula Lincoln, Gallery Manager, 314-533-9900 x37 (plincoln@thesheldon.org).

HELPFUL LINKS AND RESOURCES:

Elevator Dimensions:

Door: height 83.5" x width 47.5"

Elevator Interior: height 87" x width 69" x depth 94" and diagonal 115"

Gallery Floor Plan (*Please note that gallery staff will determine final placement of the winning holes in collaboration with the artist. You may not get your first location choice and may be asked to slightly modify your design to fit a specific location.) See last page for floor plan.

ADA Design guidelines:

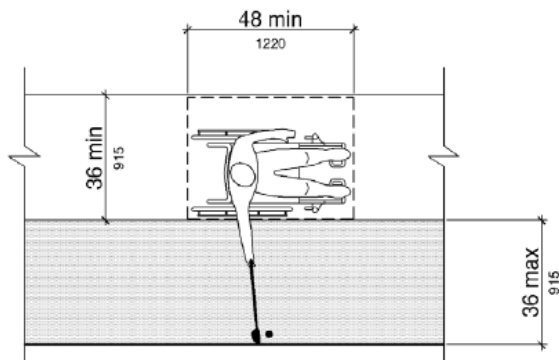
Source: <https://www.ada.gov/regs2010/2010ADASTandards/2010ADASTandards.htm#c10>

1007.3 Miniature Golf Holes. Miniature golf holes shall comply with 1007.3.

1007.3.1 Start of Play. A clear floor or ground space 48 inches (1220 mm) minimum by 60 inches (1525 mm) minimum with slopes not steeper than 1:48 shall be provided at the start of play.

1007.3.2 Golf Club Reach Range Area. All areas within holes where golf balls rest shall be within 36 inches (915 mm) maximum of a clear floor or ground space 36 inches (915 mm) wide minimum and 48 inches (1220 mm) long minimum having a running slope not steeper than 1:20. The clear floor or ground space shall be served by an accessible route.

Advisory 1007.3.2 Golf Club Reach Range Area. The golf club reach range applies to all holes required to be accessible. This includes accessible routes provided adjacent to or, where provided, on the playing surface of the hole.



Note: Running Slope of Clear Floor or Ground Space Not Steeper Than 1:20

OTHER RESOURCES

Drone footage of the Golf the Galleries 2020 Course:

<https://youtu.be/dcFUmlAn9Es>

For examples of other artist-designed mini golf courses, visit:

The Walker Art Center, Minneapolis:

<https://walkerart.org/calendar/2019/skyline-mini-golf-2019>

The Nelson Atkins, Kansas City

https://nelson-atkins.org/art-course/?utm_source=web&utm_medium=homepage&utm_campaign=ArtCourse

BLOGS AND TIPS:

- For more tips on what makes a good hole or a bad hole, visit Tom Loftus' and Robin Schwartzman's blog at: <http://acoupleofputts.com/> and read their interview at: <http://blogs.walkerart.org/mnartists/2012/11/05/aesthetics-of-mini-golf-...>, which includes links to local and national courses and artist-designed courses.

<http://portfolios.risd.edu/gallery/52686401/Mini-Golf-Project>

<https://www.pinterest.com/explore/miniature-golf/>

<https://www.thisoldhouse.com/how-to/how-to-build-miniature-golf-course>

http://www.architectmagazine.com/design/buildings/when-architects-design-miniature-golf-courses_o

GOLF THE GALLERIES APPLICATION FORM



Artist Name (Individual Artist or team leader)

Company Name if Applicable

Address _____

Email _____

Telephone #1 _____ **Type** _____ **Telephone #2** _____ **Type**

Hole Proposal Description: